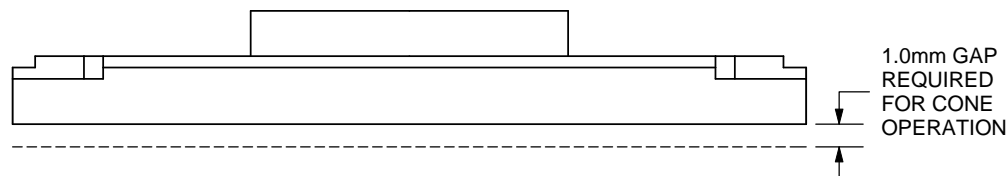
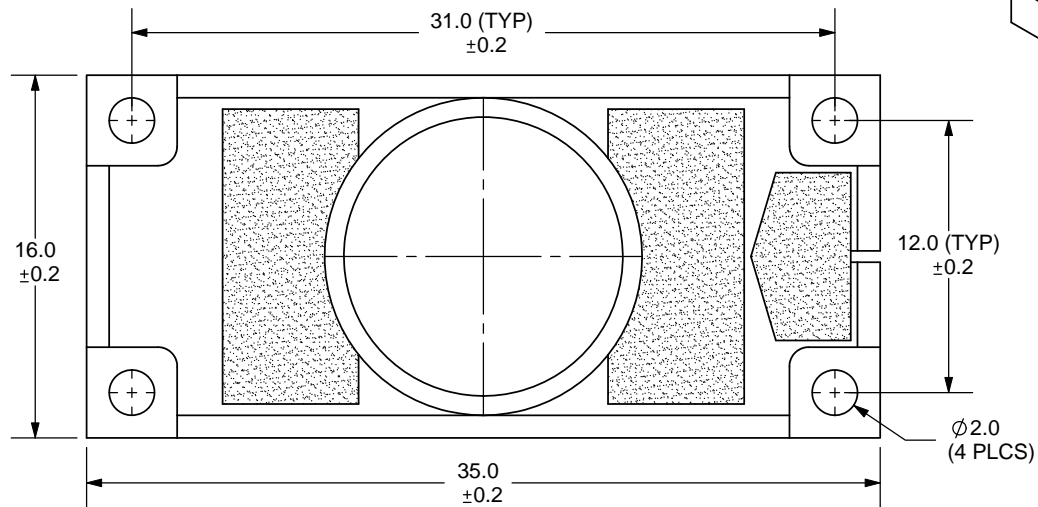
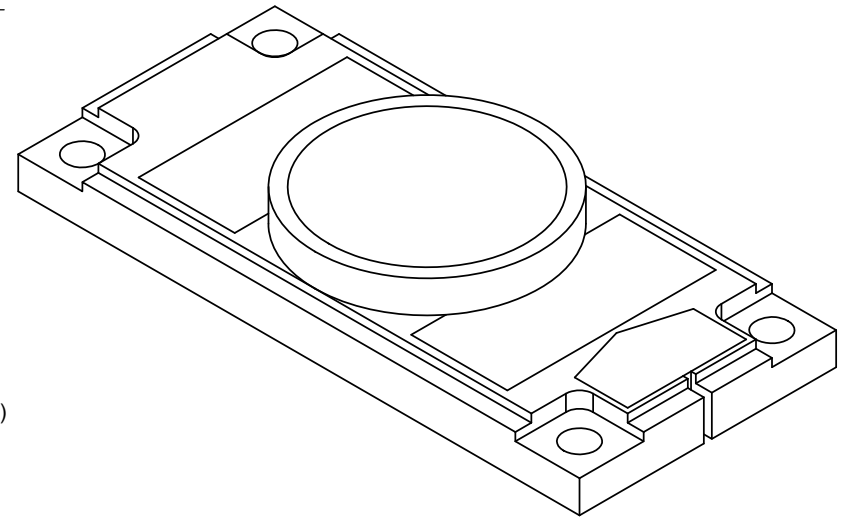
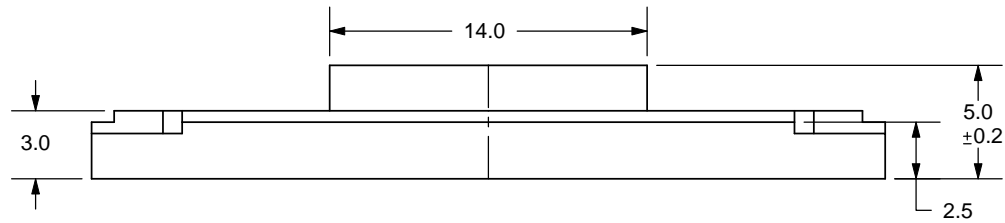


REV.	DESCRIPTION	DATE
A	NEW DRAWING	6/4/2007
B	cone gap diagram added	10/21/2008



TOLERANCE:  
±0.5mm UNLESS OTHERWISE  
SPECIFIED



20050 SW 112th Ave.  
Tualatin, OR 97062  
Phone: 503-612-2300  
800-275-4899  
Fax: 503-612-2383  
Website: www.cui.com

TITLE: LOW PROFILE NOTEBOOK SPEAKER		REV: B
PART NO. GC0351M	UNITS: MM [INCHES]	
DRAWN BY: ZRJ	APPROVED BY:	SCALE: 3:1

PC FILE NAME:  
GC0351M

COPYRIGHT 2008 BY CUI INC.